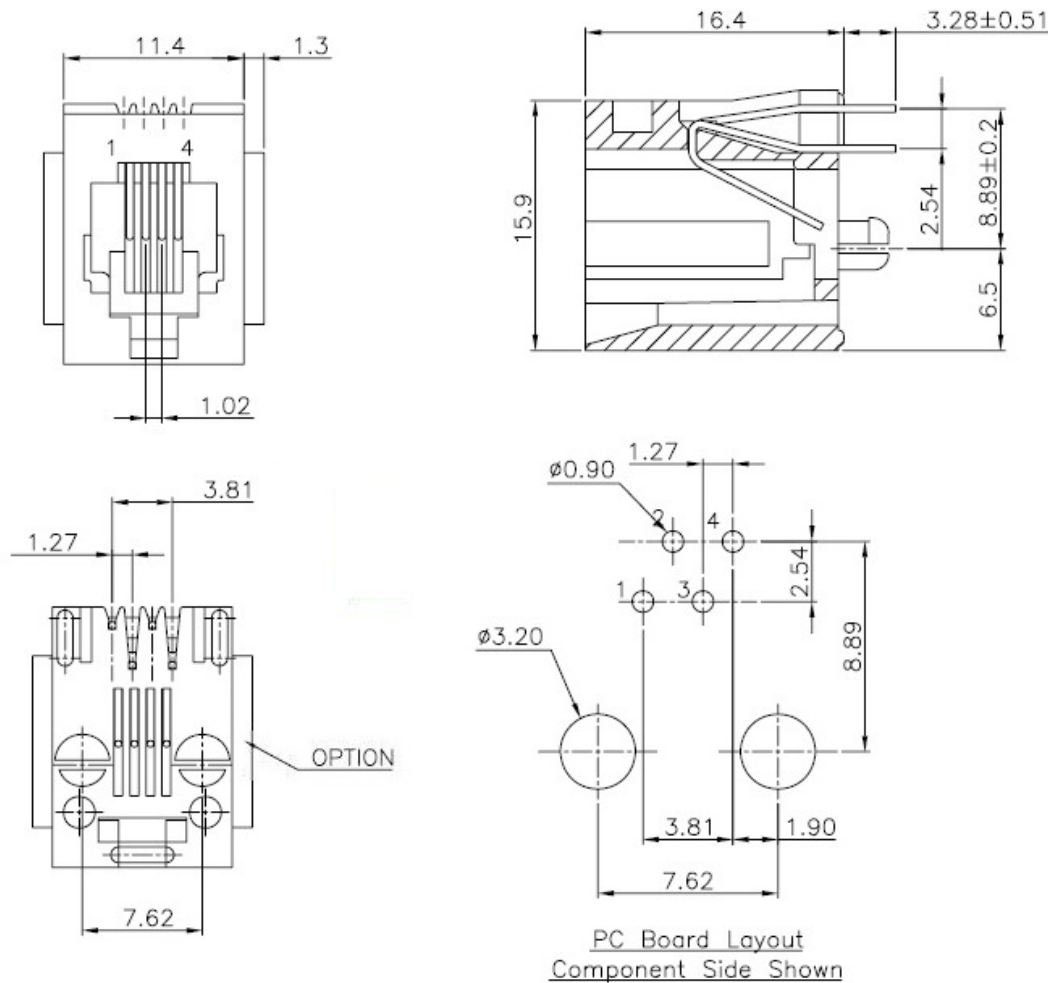
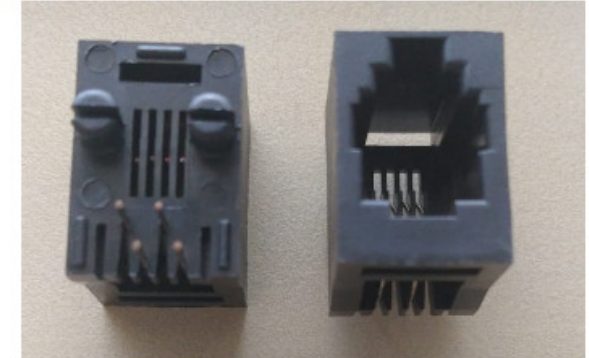


Part Code: JP-T1-4P4C

Description: Top/Straight entry 4P4C modular jack without Panel stop

RoHS
Compliant



NOTES:

ELECTRICAL:

1. VOLTAGE RATING: 125 VAC RMS MIN.
2. CURRENT RATING: 1.5 AMP MIN.
3. CONTACT RESISTANCE: 30 MILLIOHMS MAX.
4. INSULATION RESISTANCE: 1000 MEGOHMS MIN @ 500 VDC.
5. DIELECTRIC STRENGTH: 1000 VAC RMS 60Hz, 1MIN.

MECHANICAL:

1. HOUSING MATERIAL: GLASS FILLED POLYESTER UL94V-0.
2. CONTACT MATERIAL: PHOSPHOR BRONZE $\phi 0.46\text{mm}$.
3. PLATING: GOLD PLATING OVER NICKEL.
4. OPERATING LIFE: 750 CYCLES MIN.
5. PCB RETENTION PRE-SOLDER: 1 LB MIN.
6. PCB RETENTION POST-SOLDER: 10 LBS MIN.

ENVIRONMENTAL:

1. STORAGE: -40°C TO $+85^{\circ}\text{C}$.
2. OPERATION: -40°C TO $+85^{\circ}\text{C}$.

MATES WITH MODULAR PLUG CONFORMING TO FCC PART 68, SUBPART F.

P PRAN ELECTRONICS PVT. LTD.
INDIA.